



Application

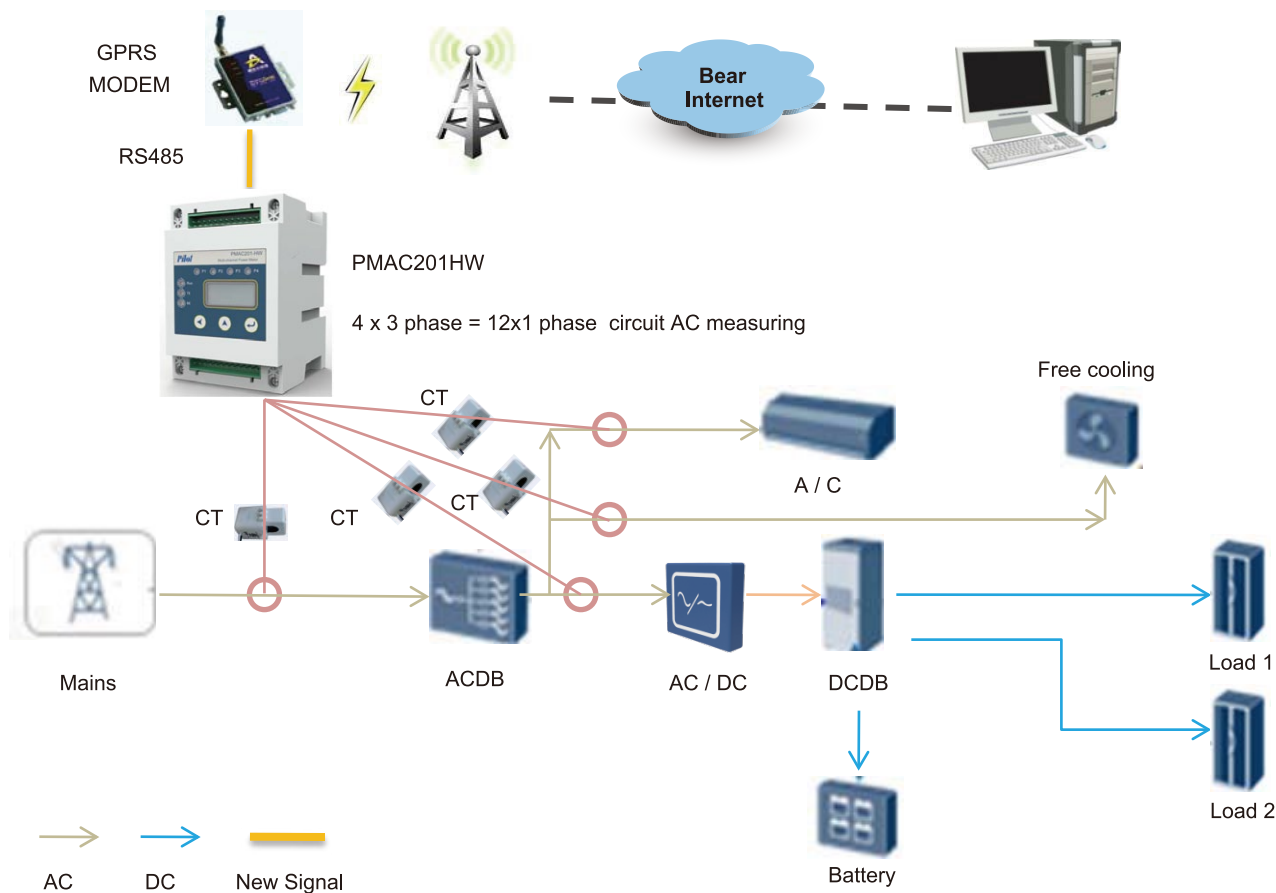
- Telecommunication
- Data center
- Building Automation

Feature

- Suit for voltage under 330V (L-N)/570V(L-L) (direct)
- Used for 4x3 phase or 12x1 phase circuit AC measuring
Auto-distinguish mix connection of three phase and single phase,
- different circuit can be set to different current
- True-RMS measuring parameter for U, I, P, Q, S, PF, F, kWh (Imp. & Exp.), kvarh (Imp. & Exp.), Demand, Max./Min. value (P)
- TOU, 4 tariffs, 8 time period in 24 hours
- Memory data per 15 min., Max. Memory 40days data
- SOE (event log) Record
- Support 100mA rated current input, CT primary up to 5000A
- LED light indicates Pulse Output, Run status and Communication status
- Standard 35mm DIN rail Mount
- RS485 port, MODBUS-RTU protocol



Typical Connection



Technical Specification

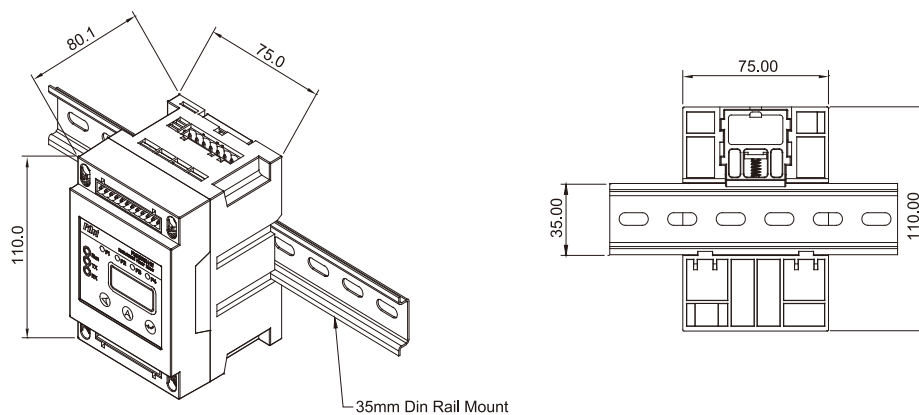
Input	Rate current: 100mA Rate voltage: <330V(L-N)/570V(L-L) direct Frequency: 50/60Hz
Connection mode	3 phase 4 wires 3 phase 3 wires
Power supply	18~72V DC
Power Consumption	≤5VA
Communication	RS485 serial, support Modbus-RTU Baud rate: 1200, 2400, 4800, 9600, 19200, 38400 bps Address: 1~247
Dimension (L x W x H)	110 x 75 x 80.1mm
Environment	Operating temperature: -20℃~+55℃ Storage temperature: -40℃~+70℃ Humidity: 5%~95% non-condensing Pressure: 70kPa~106kPa
Data refresh cycle	1 second
Memory	Freeze data per 15 min, Max. memory 40 days data

Parameter	Accuracy	Resolution	Measuring Range
Voltage	0.5%	0.01V	0~330V/570V
Current	0.5%	0.00001A	0~5000A
Active power	0.5%	0.001W	each phase: 0~150MW
Reactive power	1.0%	0.001var	each phase: 0~150MVar
Power factor	1.0%	0.001	-1.000~+1.000
Frequency	0.5%	0.01Hz	45~65 Hz
Active energy	1.0%	0.01kWh	0~99,999,999.9 kWh
SOE event records resolution			1ms

Standard (EMC)	
Oscillatory waves immunity	IEC 61000-4-12: 1995
Electrostatic discharge immunity test	IEC 61000-4-2: 2001
Radiated immunity test	IEC 61000-4-3: 1998
Electrical fast transient/burst immunity test	IEC 61000-4-4: 1998
Surge immunity test (1, 2/50μs~8/20μs)	IEC 61000-4-5, Level 3
Damped oscillatory magnetic interference	IEC 61000-4-10: 1993
Frequency magnetic immunity	IEC 61000-4-6: 2001
Supply voltage dips and voltage interruptions	IEC 870-2-1: 1995

Dimension

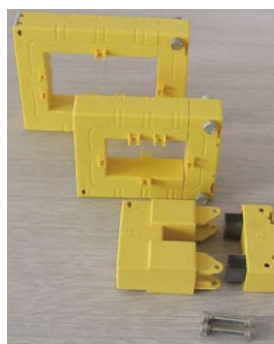
Unit: mm



Current Transformer



Rated input	100A, 200A
Rated output:	100mA
Frequency:	50Hz to 1K Hz
Accuracy	0.5%
Operation temperature	-15℃ ~ +50℃
Humidity	5%~80% non-condensing
Dimension (L x H x W)	37*52*38mm
Window opening (D)	Φ16mm (100A) Φ24mm (200A)



Rated input	Up to 1000A
Rated output:	100mA
Frequency:	50Hz to 400 Hz
Accuracy	0.5%
Operation temperature	-15℃ ~ +50℃
Humidity	5%~80% non-condensing
Dimension (L x H x W)	Depends on different primary current
Window opening (D)	