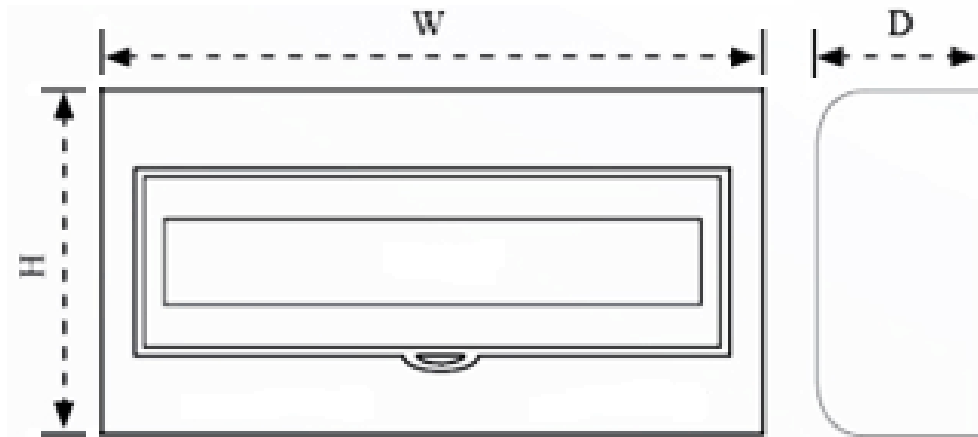


ALPHAChINT



LV DISTRIBUTION BOX CATALOG 2020

SINGLE ROW SERIES



8
Way

W : 216 mm
H : 143 mm
D : 93 mm

Variant:
ABS
ABS + Fire Retardant



10
Way

W : 258 mm
H : 176 mm
D : 93 mm

Variant:
ABS
ABS + Fire Retardant



14
Way

W : 320 mm
H : 176 mm
D : 93 mm

Variant:
ABS
ABS + Fire Retardant



17
Way

W : 371 mm
H : 183 mm
D : 93 mm

Variant:
ABS
ABS + Fire Retardant

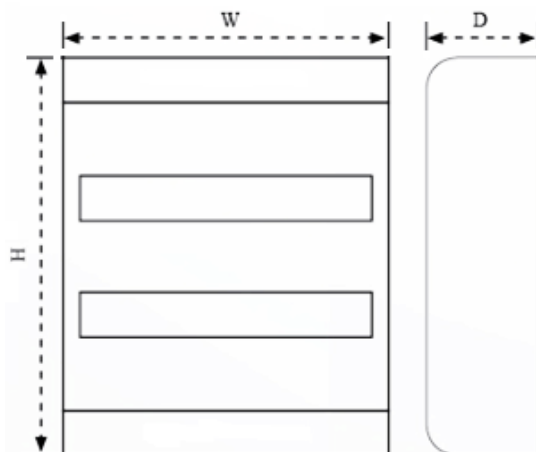


23
Way

W : 478 mm
H : 183 mm
D : 93 mm

Variant:
ABS
ABS + Fire Retardant

TWO ROW SERIES



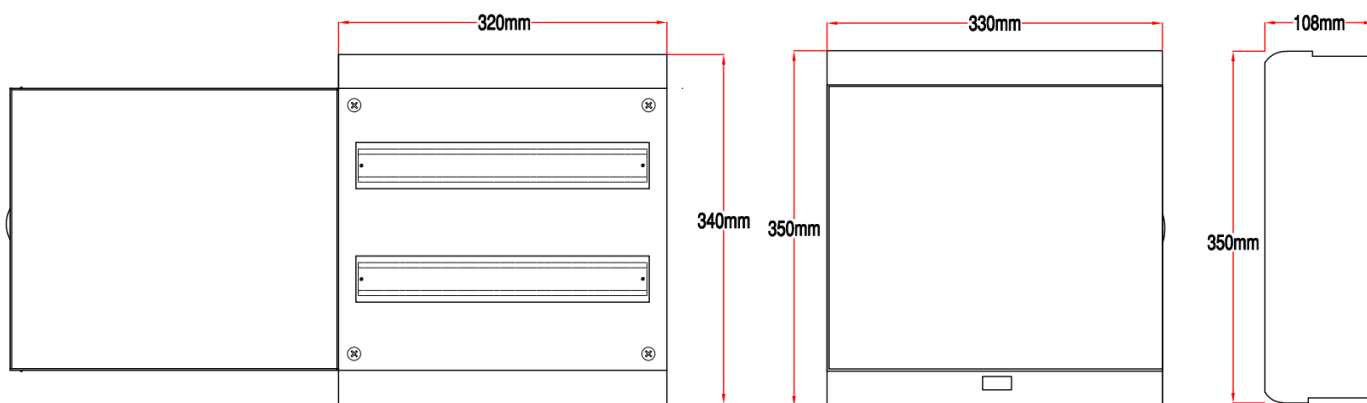
28
Way

W : 274 mm
H : 346 mm
D : 110 mm

Variant:

ABS

ABS + Fire Retardant



34
Way

W : 330 mm
H : 350 mm
D : 108 mm

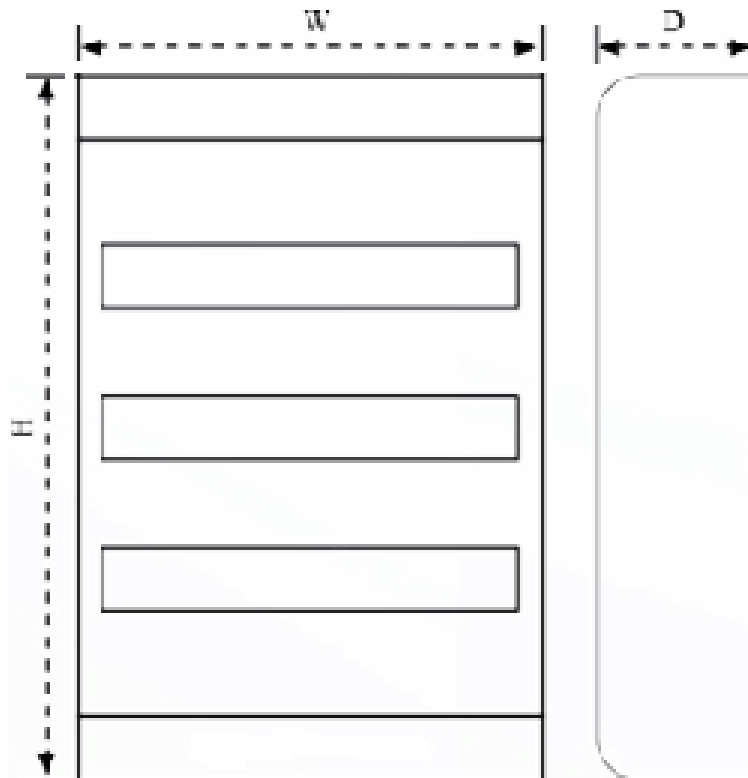
Variant:

ABS

ABS + Fire Retardant



THREE ROW SERIES



45
Way

W : 310 mm
H : 448 mm
D : 110 mm

Variant:

ABS

ABS + Fire Retardant



48
Way

W : 310 mm
H : 448 mm
D : 110 mm

Variant:

ABS

ABS + Fire Retardant



CERTIFICATIONS



SIRIM QAS International Sdn. Bhd. (410334-X)
No.1, Persiaran Dato' Menteri, Section 2, P.O. Box 7035
40700 Shah Alam, Selangor Darul Ehsan, Malaysia
Tel: 03-55446044/40
Fax: 03-55446039
www.sirim-qas.com.my

TEST REPORT

REPORT NO.: 2019PC0064	PAGE : 1 OF 9
This Test Report refers only to samples submitted by the applicant to SIRIM QAS International Sdn. Bhd. and tested by SIRIM QAS International Sdn. Bhd. This Test Report shall not be reproduced, except in full and shall not be used for any purpose by any means or forms (including but not limited to advertising purposes) without written approval from the Managing Director, SIRIM QAS International Sdn. Bhd. Please refer the last page for Conditions Relating to the Use of Test Report.	

Applicant : ALPHA CHINT SWITCHES SDN BHD
5, Jalan Pemberita U1/49
Temasya Industrial Park, Glenmarie
40150 Shah Alam
Selangor

Licensee/Manufacturer : - N/A -

Product : MCB Distribution Box
Brand: ALPHA CHINT
Model: AC123W, AC228W & AC345W

Reference Standard/
Method of Test : UL 94: 2010 - Tests for Flammability of Plastic Materials for Parts in
Devices and Appliances

Description of Sample : Three (3) types of sample indicated as 'FR PVC Distribution Box'
were received on 9 January 2019.

Date Received of
Complete Application : 14 January 2019

Job No. : J20191460024

Description of Test
Results : The test results of the submitted test samples are described in Pages
2 to 9 of this test report.

Issued Date : 30 January 2019

Approved Signatories:

(Nomaizura Zakaria)
Testing Executive



(Rahmad Abd Shukor)
Head
Plastics and Composite Materials Section
Testing Services Department

ALPHACHiNT

LV DISTRIBUTION BOX CATALOG 2020

Distributed by: Alpha Chint Switches Sdn. Bhd. (952175-T)

5, Jalan Pemberita U1/49, Temasya Industrial Park, Glenmarie, 40150 Shah Alam, Selangor
Tel: +603-5569 3698 Fax: +603-5569 4099 Email: alphamail@alphasel.com